



Tubs Modular Track with 3 Lineal 900mm

Nahtrang Design

Pendant Tubs Modular Track with 3 Lineal 900mm LED 42 LED warm-white 2700K ON-OFF Black 3270lm

Technical features

Luminaire total power: 42W

Real lumens: 3270

Real lm/W: 78

Correlated Colour Temperature (CCT): LED warm-white 2700K

Structure material: Aluminium

Structure finish: Black

Diffuser material: Methacrylate

Diffuser finish: Opal

Driver Brand: MEANWELL

Voltage / frequency: 100-240V/50-60Hz

Dimming protocol: ON-OFF

Power Factor: NULL

Useful life: 50,000h L80B20

Warranty: 5 años



Luminotechnic features

CRI: 90

MacAdam steps: 3

Photobiological risk: RGO

Lampholder	Quantity	Light source power (W)	Correlated Colour Temperature (CCT)
LED	1	39.3W	LED warm-white 2700K

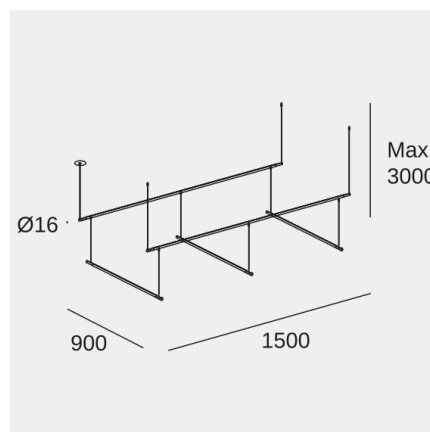
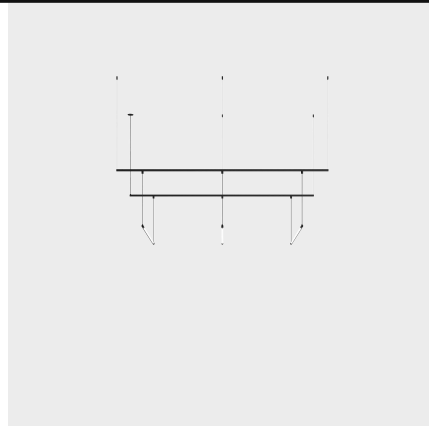


Image may not match reference. LedsC4 reserves the right to amend any of the product's components. The data related to flux, power and colour temperature may be subject to changes made by the manufacturer.

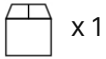


Tubs Modular Track with 3 Lineal 900mm

Nahtrang Design

Pendant Tubs Modular Track with 3 Lineal 900mm LED 42 LED warm-white 2700K ON-OFF Black 3270lm

Logistics



Net weight (kg): 3.85

Packaged weight (kg): 5.43

Packaging: 2000mm x 150mm x
70mm

Image may not match reference. LedsC4 reserves the right to amend any of the product's components. The data related to flux, power and colour temperature may be subject to changes made by the manufacturer.