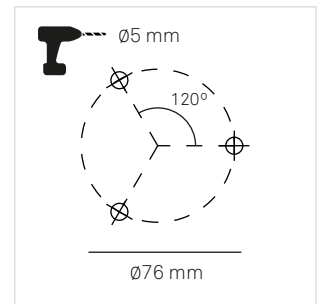
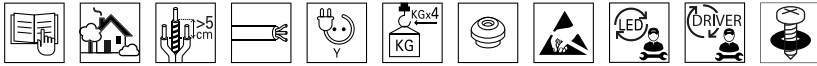




MOAL

WALL FIXTURE



1

2

Ømin = 5mm
Ømax = 10mm

3

4

5

MULTIPLE

Min. 155mm

1

2

3

