



Ilargi Ø320

Iratzoki-Lizaso

Table lamp Ilargi Ø320 LED 16.4 LED warm-white 2700K TOUCH DIMMING Madera Oscura 1177lm

Technical features

Luminaire total power: 16.4W

Real lumens: 1177

Real lm/W: 72

Correlated Colour Temperature (CCT): LED warm-white 2700K

UGR: <=16

Structure material: Wood

Structure finish: Madera Oscura

Diffuser material: Glass

Diffuser finish: Opal

Driver Brand: MEANWELL

Voltage / frequency: 100-240V/50-60Hz

Dimming protocol: TOUCH DIMMING

Power Factor: 0.40

Useful life: 50,000h L80B20

Warranty: 5 años

Easily recyclable luminaire



Luminotechnic features

CRI: 80

MacAdam steps: 3

Photobiological risk: RG2

UGR crosswise: 15.9

UGR lengthwise: 15.9

Lampholder	Quantity	Light source power (W)	Correlated Colour Temperature (CCT)
LED	1	14.8W	LED warm-white 2700K

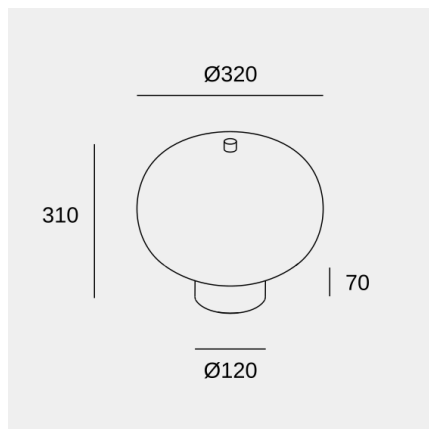


Image may not match reference. LedsC4 reserves the right to amend any of the product's components. The data related to flux, power and colour temperature may be subject to changes made by the manufacturer.

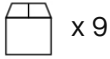


Ilargi Ø320

Iratzoki-Lizaso

Table lamp Ilargi Ø320 LED 16.4 LED warm-white 2700K TOUCH DIMMING Madera Oscura 1177lm

Logistics



x 9

Packaging: 165mm x 165mm x 340mm

Image may not match reference. LedsC4 reserves the right to amend any of the product's components. The data related to flux, power and colour temperature may be subject to changes made by the manufacturer.