



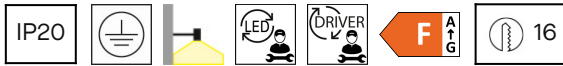
## H

Benedito Design

Wall fixture H LED 17 LED warm-white 2700K ON-OFF Matte gold 627lm

### Technical features

- Luminaire total power: 17W
- Real lumens: 627
- Real lm/W: 37
- Correlated Colour Temperature (CCT): LED warm-white 2700K
- Lens / reflector angle: FLOOD 73°
- Structure material: Steel
- Structure finish: Matte gold
- Diffuser material: Acrylic
- Diffuser finish: Sandblasted
- Driver Brand: HEP
- Voltage / frequency: 100-277V/50-60Hz
- Dimming protocol: ON-OFF
- Power Factor: 0.90
- Useful life: 50,000h L80B20
- Warranty: 5 años



### Luminotechnic features

- CRI: 90
- MacAdam steps: 3
- Photobiological risk: RG2
- UGR crosswise: 22.7
- UGR lengthwise: 22.7

Lampholder	Quantity	Light source power (W)	Correlated Colour Temperature (CCT)
LED	1	14.9W	LED warm-white 2700K

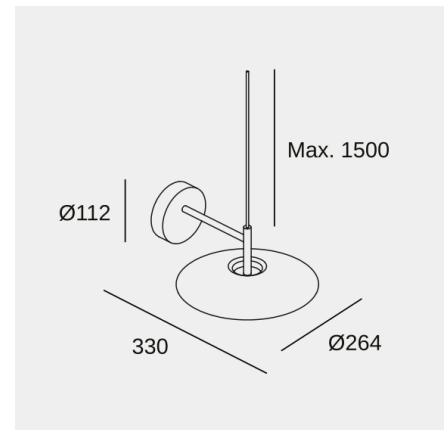


Image may not match reference. LedsC4 reserves the right to amend any of the product's components. The data related to flux, power and colour temperature may be subject to changes made by the manufacturer.

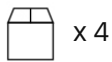


## H

Benedito Design

Wall fixture H LED 17 LED warm-white 2700K ON-OFF Matte gold 627lm

## Logistics



x 4

Net weight (kg): 1.32

Packaged weight (kg): 1.98

Packaging: 370mm x 285mm x  
170mm

## Light application



Image may not match reference. LedsC4 reserves the right to amend any of the product's components. The data related to flux, power and colour temperature may be subject to changes made by the manufacturer.