



Candle 5 Bodies Chandelier

Benedito Design

Pendant Candle 5 Bodies Chandelier LED 16.8 LED warm-white 2700K 0-10V / 1-10V / PUSH/ DALI Black 844lm

Technical features

- Luminaire total power: 16.8W
- Real lumens: 844
- Real lm/W: 50
- Correlated Colour Temperature (CCT): LED warm-white 2700K
- Structure material: Steel, Aluminium
- Structure finish: Black
- Diffuser material: Methacrylate
- Diffuser finish: Transparent
- Driver Brand: TCI
- Voltage / frequency: 100-240V/50-60Hz
- Dimming protocol: 0-10V / 1-10V / PUSH/ DALI
- Power Factor: 0.96
- Useful life: 50,000h L80B20
- Warranty: 5 años



Luminotechnic features

- CRI: 90
- MacAdam steps: 2
- Photobiological risk: RG1

Lampholder	Quantity	Light source power (W)	Correlated Colour Temperature (CCT)
LED	1	15.6W	LED warm-white 2700K

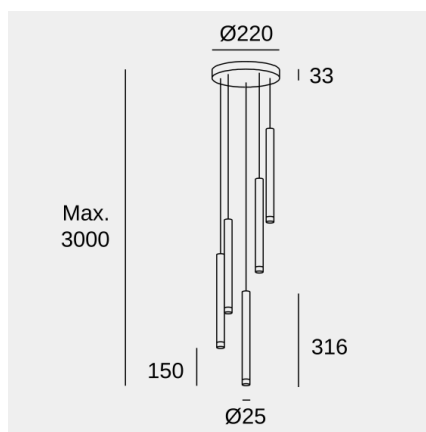


Image may not match reference. LedsC4 reserves the right to amend any of the product's components. The data related to flux, power and colour temperature may be subject to changes made by the manufacturer.



Candle 5 Bodies Chandelier

Benedito Design

Pendant Candle 5 Bodies Chandelier LED 16.8 LED warm-white 2700K 0-10V / 1-10V / PUSH/ DALI Black 844lm

Logistics



x 1

Net weight (kg): 2.6

Packaged weight (kg): 3.6

Packaging: 420mm x 415mm x 165mm

Image may not match reference. LedsC4 reserves the right to amend any of the product's components. The data related to flux, power and colour temperature may be subject to changes made by the manufacturer.

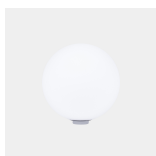


Candle 5 Bodies Chandelier

Benedito Design

Pendant Candle 5 Bodies Chandelier LED 16.8 LED warm-white 2700K 0-10V / 1-10V / PUSH/ DALI Black 844lm

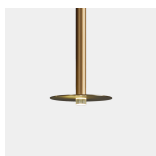
Optional accessories



71-8318-F9-F9

Candle tinted glass diffuser accessory

Structure material: Glass
Dimensions: 100 x NA x NA
Net weight (kg): 0.16



71-6022-27-27

Structure material: Steel
Dimensions: 150 x NA x 2
Net weight (kg): 0.27

Image may not match reference. LedsC4 reserves the right to amend any of the product's components. The data related to flux, power and colour temperature may be subject to changes made by the manufacturer.